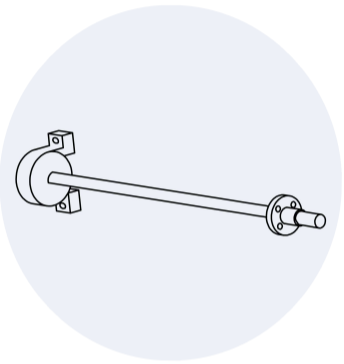
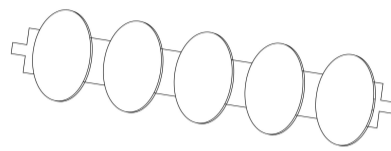
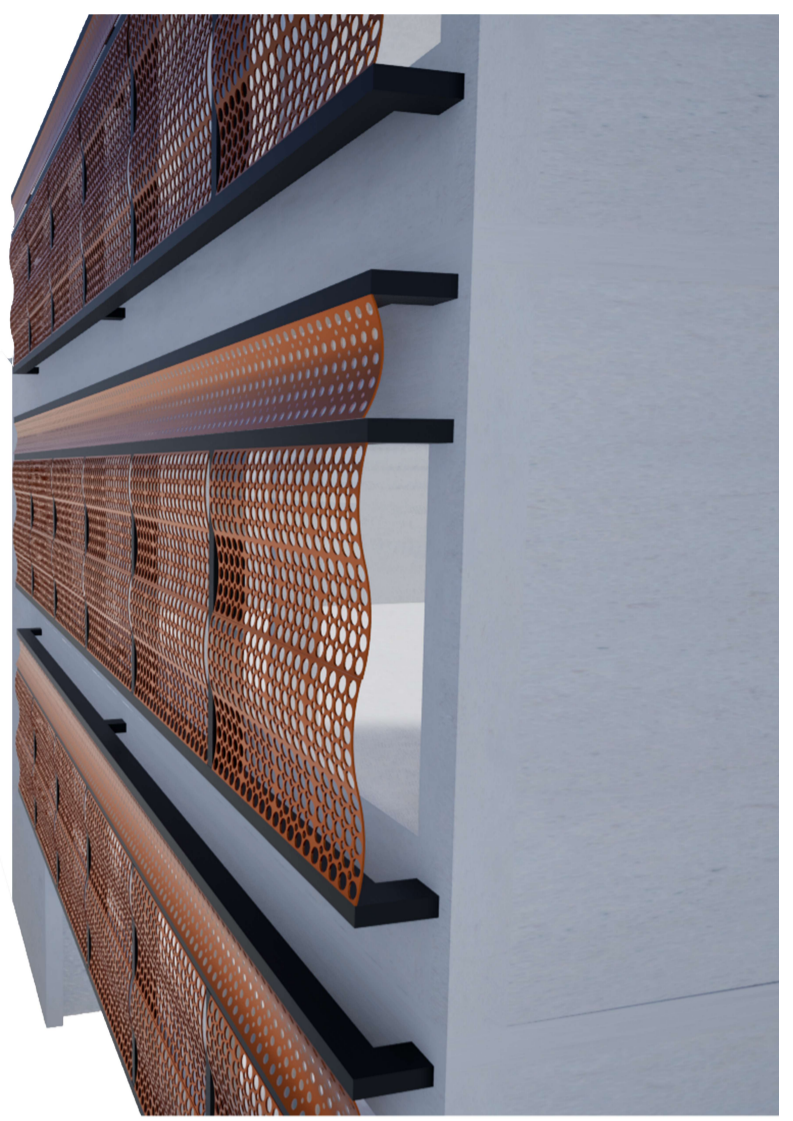
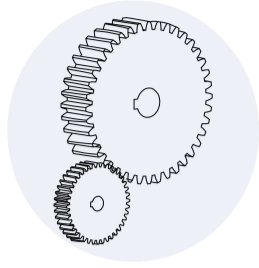
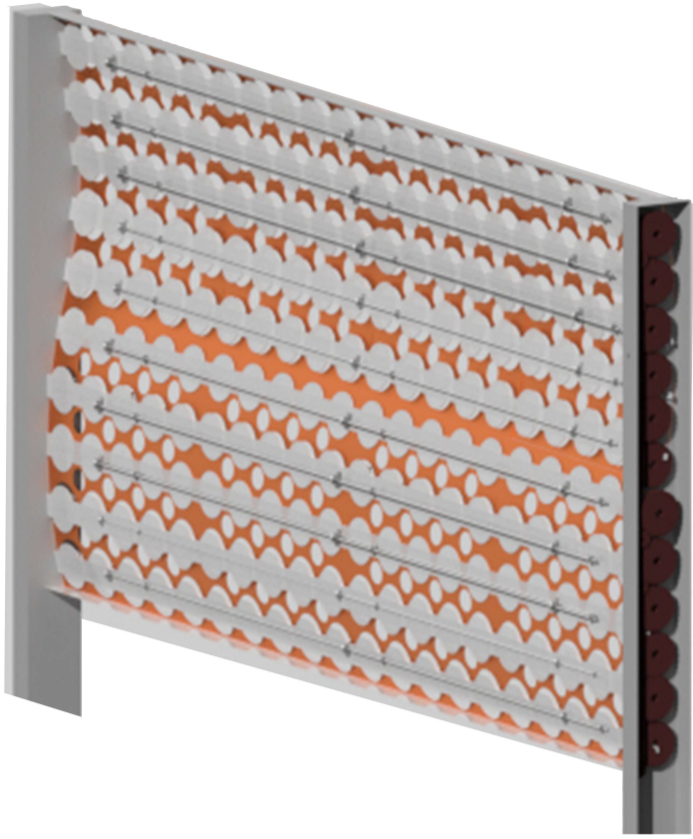
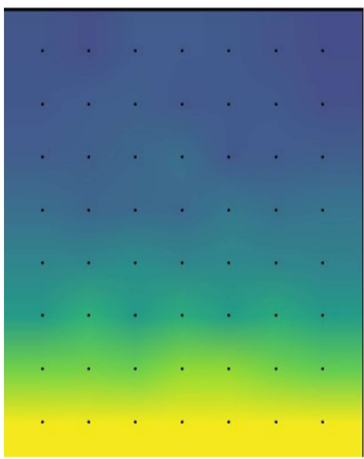


ΜΗΧΑΝΙΣΜΟΣ



48	26	7	83%	284
Site EUI kWh/m ²	Op. Carbon kgCO ₂ /m ²	Energy Cost \$/m ²	Saved Vs. Baseline	Baseline EUI kWh/m ²



2,7% mean DF 2,2% median DF

